

EL[®]MARK

The Brand of Electricity

LED FLOODLIGHT

VEGA WHITE



GENERAL INFORMATION »

- ∴ Rated voltage: 220-240V/ 50-60Hz
- ∴ Power: 10W; 20W; 30W; 50W; 100W
- ∴ LED driver: Linear- mounting in the body
- ∴ Color temperature: 3000k; 4000K
- ∴ Light source: SANAN
- ∴ Colour: White
- ∴ Body: Plastic+ Aluminium
- ∴ Cable length: 300mm
- ∴ Beam angle: 110°
- ∴ Colour rendering index: Ra > 70
- ∴ Average lifetime: 20 000h
- ∴ Ambient temperature: -30°C ÷ +65°C
- ∴ Protection against dust and moisture: IP65
- ∴ Available in variant with an emergency kit

FEATURES »

- ∴ Efficient replacement of traditional halogen and metal-halide floodlights
- ∴ Wide distribution of even and stable light
- ∴ Economic - low power consumption
- ∴ Repeated switch on/off does not affect the fixture lifespan
- ∴ Instant light at maximum luminous flux
- ∴ Environmentally friendly - no mercury and lead
- ∴ No ultraviolet and infrared rays
- ∴ Resistant to shock and vibration stable body
- ∴ Voltage supply fluctuations do not affect the normal

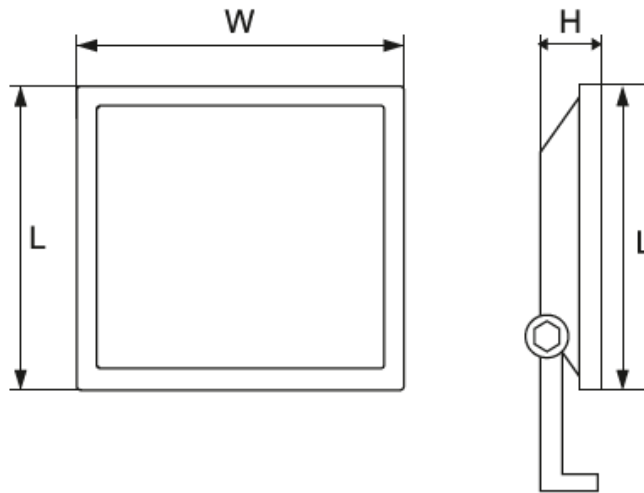
APPLICATION »

- ∴ Sports halls
- ∴ Commercial areas
- ∴ Warehouses
- ∴ Production facilities
- ∴ Squares
- ∴ Parking lots

PRODUCT DETAILS »

Catalogue number	Catalogue number with Emergency kit	Watt (W)	Whole fixture lumens (lm)	Colour temp (K)	Colour body
98VEGA10SLIM/WH	-	10	900	4000	white
98VEGA10WW/WH	-	10	900	3000	white
98VEGA20SLIM/WH		20	1800	4000	white
98VEGA20WW/WH		20	1800	3000	white
98VEGA30SLIM/WH	98VEGA30S/WHE	30	2700	4000	white
98VEGA30WW/WH	98VEGA30WW/WHE	30	2700	3000	white
98VEGA50SLIM/WH	98VEGA50S/WHE	50	4500	4000	white
98VEGA50WW/WH	98VEGA50WW/WHE	50	4500	3000	white
98VEGA100SLIM/WH	98VEGA100S/WHE	10	9000	4000	white
98VEGA100WW/WH	98VEGA100WW/WHE	10	9000	3000	white

DIMENSIONS »



Model	Length (mm)	Height (mm)	Width (mm)
98VEGA10SLIM/WH	66	18	90
98VEGA10WW/WH	66	18	90
98VEGA20SLIM/WH	75	21	110
98VEGA20WW/WH	75	21	110
98VEGA30SLIM/WH	95	22	130
98VEGA30WW/WH	95	22	130
98VEGA50SLIM/WH	132	25	186
98VEGA50WW/WH	132	25	186
98VEGA100SLIM/WH	190	28	280
98VEGA100WW/WH	190	28	280

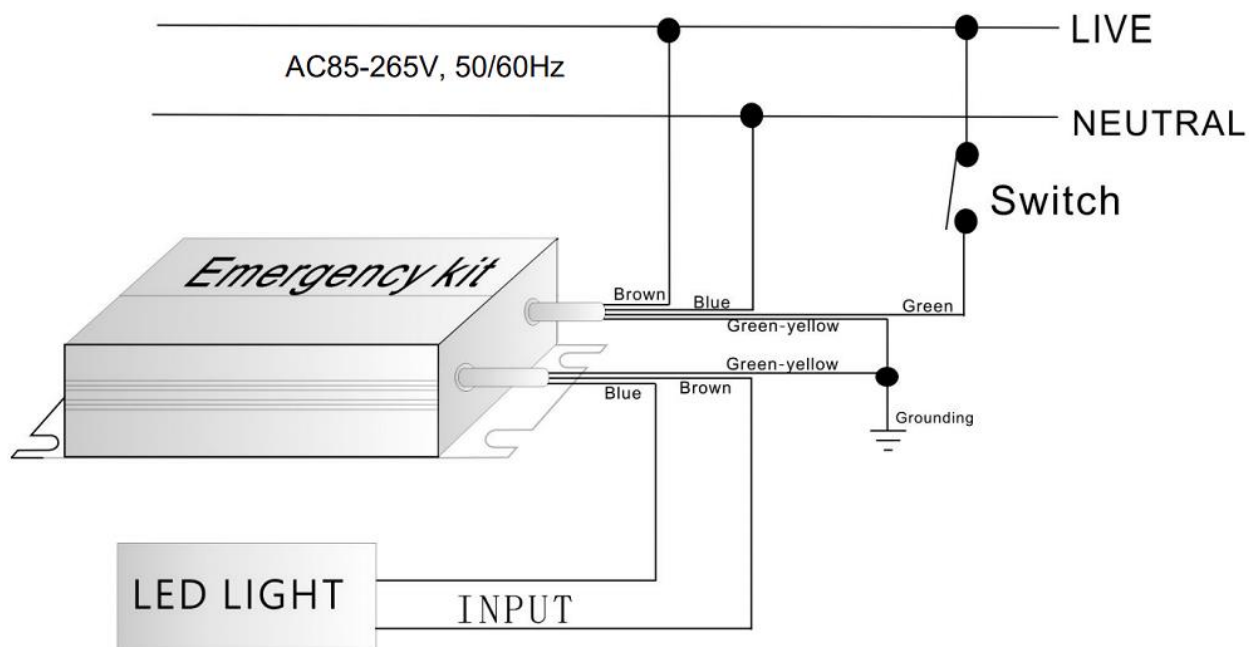
EMERGENCY DRIVER SPECIFICATIONS »



Technical data:

- ∴ Input voltage: 85-265V AC
- ∴ Battery: 18.5V 8800mAh
- ∴ Emergency switch time: <5s
- ∴ Suitable: for LED lamp with internal driver and power 20-100W
- ∴ Emergency time: 60-120min
- ∴ Working temperature: from -10 to +50°C
- ∴ Size: 290x105x50mm
- ∴ IP44

Wiring diagram:



INSTALLATION ACCESSORIES »

Terminal box IP44

- ∴ Material: PC
- ∴ Voltage: 450V
- ∴ Rated current: 6A
- ∴ Wiring Capacity: 0.5-4.0mm²
- ∴ Cat. Number: **31071**



Terminal box IP65

- ∴ Material: Polypropylene 94-V2 grade
- ∴ Sunscreen Rating: Sun Protection(UV)
- ∴ Voltage: 450V
- ∴ Rated current: 10A
- ∴ Terminal Blocks: 3p screw type
- ∴ Metal Part: Plated Brass/Steel Spring
- ∴ Wiring Capacity: 0.5-2.5mm²
- ∴ Cat. Number: **31070**





Cable connector IP68

- ∴ Rated operational voltage: AC250V
- ∴ Rated operational Ampere(A): ≤30A
- ∴ Material: flame retardant/Anti UV nylon(PA66)
- ∴ Crimping terminals: Nickel-plated brass
- ∴ Withstand voltage (normal temperature): 3KV
- ∴ Operating temperature range: -40°C~+105°C
- ∴ Wiring Capacity: 0.5-2.5mm²
- ∴ Cat. Number: **31072**



ADDITIONAL INFORMATION »


98VEGA10SLIM/WH




This luminaire contains built-in LED lamps.

A++
A+
A
B
C
D
E

}

L
E
D

The lamps cannot be changed in the luminaire.

874/2012


Catalogue number	Barcode	Packing/Box (pcs)
98VEGA10SLIM/WH	3800131214744	1/40
98VEGA10WW/WH	3800131251305	1/40
98VEGA20SLIM/WH	3800131214751	1/40
98VEGA20WW/WH	3800131251312	1/40
98VEGA30SLIM/WH	3800131214768	1/20
98VEGA30WW/WH	3800131251329	1/20
98VEGA50SLIM/WH	3800131214775	1/20
98VEGA50WW/WH	3800131251336	1/20
98VEGA100SLIM/WH	3800131214782	1/10
98VEGA100WW/WH	3800131251343	1/10

